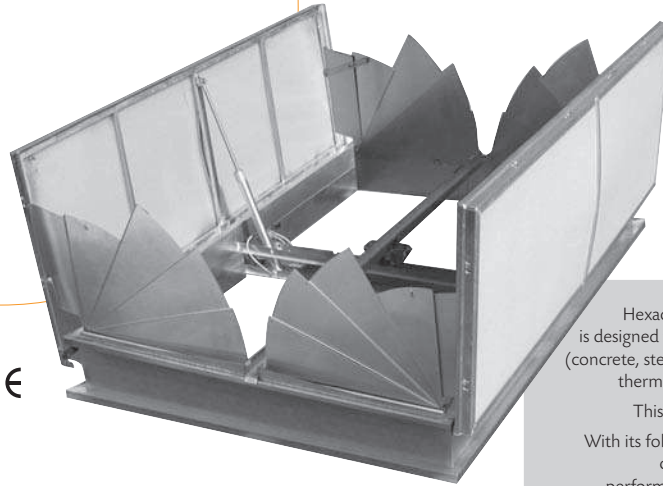


# Hexacoif DoP Eventail

Smoke vents range

NSHEV for renovation application  
Double Flaps (Pneumatic)  
CE - This smoke vent meets the  
European regulation EN 12101-2  
in force.



Hexacoif DoP Eventail (two opening flaps) is designed to fit with all kind of existing support (concrete, steel, wood...), and can be controlled by thermofuse and/or central pneumatic box.

This smoke vent is a veritable innovation. With its foldable windshields, the DoP Eventail can reach a high level of aerodynamic performances, while preserving the aesthetic aspect of the building.

Dimensions

Performances

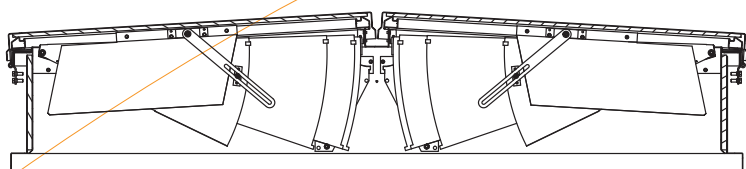
Characteristics

References	DT <sup>(1)</sup> l x L in cm	DB <sup>(1)</sup> l x L in cm	Geometrical Area (Av) in m <sup>2</sup>	Lighting Surface (SLu) in m <sup>2</sup>	Aerodynamical Area (Aa) in m <sup>2</sup>		Working pressure (bar) <sup>(4)</sup>				Total volume of pistons in liters (L)
							PCA <sup>(2)</sup>		CAI <sup>(2)</sup>		
					S (Standard)	+ (Plus)	SL 250 <sup>(3)</sup>	SL 550 <sup>(3)</sup>	SL 250 <sup>(3)</sup>	SL 550 <sup>(3)</sup>	PCA/CAI
C 180 straight	180 x 180	180 x 180	3,24	3,24	2,20	2,43	10	14	10	16	1,14
C 200 straight	200 x 200	200 x 200	4,00	4,00	2,72	3,00	10	18	10	13	1,31 / 2,04
120 x 240 straight	120 x 240	120 x 240	2,88	2,88	2,02	2,16	10	19	10	16	0,63 / 0,98
120 x 250 straight	120 x 250	120 x 250	3,00	3,00	2,07	2,25	10	19	10	16	0,63 / 0,98
120 x 300 straight	120 x 300	120 x 300	3,60	3,60	2,48	2,70	12	22	10	16	0,63 / 0,98
150 x 250 straight	150 x 250	150 x 250	3,75	3,75	2,55	2,81	10	15	10	17	0,87
150 x 300 straight	150 x 300	150 x 300	4,50	4,50	3,06	3,38	10	18	12	20	0,87
160 x 250 straight	160 x 250	160 x 250	4,00	4,00	2,72	3,00	10	16	12	20	1,60
160 x 300 straight	160 x 300	160 x 300	4,80	4,80	3,26	3,61	10	19	13	21	1,02
180 x 250 straight	180 x 250	180 x 250	4,50	4,50	3,06	3,39	10	19	10	17	1,14 / 1,78
180 x 300 straight	180 x 300	180 x 300	5,40	5,40	3,67	4,09	14	23	10	17	1,14 / 1,78
200 x 250 straight	200 x 250	200 x 250	5,00	5,00	3,40	3,78	12	22	10	16	1,31 / 2,04
200 x 300 straight	200 x 300	200 x 300	6,00	6,00	4,08	4,56	14	26	11	19	1,31 / 2,04

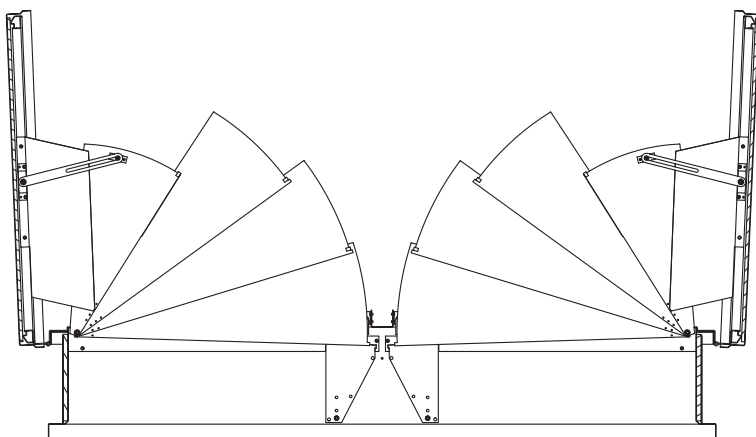
(1) DT = Dimension Top of upstand (Commercial reference) and DB = Dimension Bottom of upstand (Geometrical area) - (2) PCA = Multilayer polycarbonate panels 10 or 16 mm, CAI = Insulated aluminium cover - (3) SL 250 (0-400 m of altitude) - SL 550 (400-800 m of altitude et plus) - (4) Minimum pressure of CO2 for closing = 8 bar

# Hexacoif DoP Eventail

Smoke vents range



Hexacoif DoP Eventail in waiting position



Hexacoif DoP Eventail in safety position

#### COMPONENTS:

- A metallic upstand in galvanized steel of 150 mm high, which can be installed on all kind of existing support (concrete, steel, wood...).
- This product also allows to transform the original function of an existing skylight, while conserving the existing upstand.
- An aluminium frame which protects the periphery of dome or PCA.
- A thermofuse pre-installed in the factory (in option).
- Two opening flaps controlled by thermofuse and/or central pneumatic box. The opening power is given by 2 CO<sub>2</sub> piston integrated in the whole system. The opening and closing function is controlled from the floor by activating a CO<sub>2</sub> cartridge for opening and a CO<sub>2</sub> cartridge for closing.
- In option, an electric drive 230V can be installed for daily ventilation purpose (opening of 30 cm).
- Aerodynamic devices type Eventail in galvanized steel, integrated to the complete system (installed on the smoke vent in our premises).

#### FILLING:

- Our standard:
  - PCA 10 mm 4 skins
- In option:
  - PCA 16 mm 7 skins
  - Insulated aluminium cover

*For additional details, see the rubric of the options.*

Working	Type B opening + closing
Cycles	Re 10,000 (daily ventilation) + Re 1,000 (smoke extraction)
Snow load	SL250 or SL550
Low Temperature	T (-15°)
Wind load	WL 1 500 Pa
Resistance to heat	B 300 °C