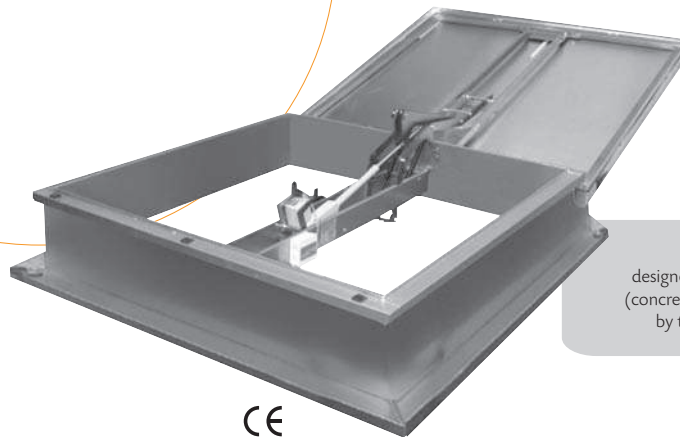


# Hexacoif MoE

Smoke vents range



NSHEV for renovation application  
Single Flap (Electric)  
CE - This smoke vent meets the  
European regulation EN 12101-2  
in force.

Hexacoif MoE (one opening flap) is  
designed to fit with all kind of existing support  
(concrete, steel, wood...), and can be controlled  
by thermofuse and/or electric control box.

CE

Dimensions

Performances

Characteristics

DT = DB l x L in m	Geometrical Area (Av) in m <sup>2</sup>	Gammes			Lenght spoiler Standard- Plus	Voltage en V	Filling PCA 10-16			Filling Double and Simple Dome - Aluminium cover				
		Eco	Standard	Plus			Amperage(A) Snow load			Amperage (A) Snow load				
		Aa (SUO) in m <sup>2</sup>	Aa (SUO) in m <sup>2</sup>	Aa (SUO) in m <sup>2</sup>			25 daN/m <sup>2</sup>		50 daN/m <sup>2</sup>		25 daN/m <sup>2</sup>		50 daN/m <sup>2</sup>	
1,00 x 1,00	1,00	0,42	0,66	0,74	100	24 V	4 A	SL 250	4 A	SL 550	4 A	SL 250	4 A	SL 550
1,00 x 1,40	1,40	0,59	0,92	1,04	300	24 V	4 A	SL 250	4 A	SL 550	Not available with aluminium cover			
1,00 x 1,50	1,50	0,63	0,98	1,11	300	24 V	4 A	SL 250	4 A	SL 550	Not available with aluminium cover			
1,00 x 2,00	2,00	1,00	1,30	1,48	300	24 V	4 A	SL 250	4 A	SL 550	Not available with aluminium cover			
1,20 x 1,20	1,44	0,60	0,94	1,07	300	24 V	4 A	SL 250	4 A	SL 550	4 A	SL 250	4 A	SL 550
1,20 x 1,60	1,92	0,79	1,25	1,42	300	24 V	4 A	SL 250	4 A	SL 550	Not available with aluminium cover			
1,20 x 1,80	2,16	1,08	1,42	1,60	300	24 V	4 A	SL 250	4 A	SL 550	Not available with aluminium cover			
1,20 x 2,00	2,40	0,98	1,56	1,78	300	24 V	4 A	SL 250	4 A	SL 550	Not available with aluminium cover			
1,20 x 2,50	3,00	1,35	1,92	2,07	300	24 V	4 A	SL 250	4 A	SL 550	Not available with aluminium cover			
1,30 x 1,30	1,69	0,85	1,10	1,25	300	24 V	4 A	SL 250	4 A	SL 550	4 A	SL 250	4 A	SL 550
1,40 x 1,40	1,96	0,98	1,28	1,45	300	24 V	4 A	SL 250	4 A	SL 550	4 A	SL 250	4 A	SL 550
1,40 x 2,00	2,80	1,13	1,81	2,02	300	24 V	4 A	SL 250	4 A	SL 550	Not available with aluminium cover			

Commercial references

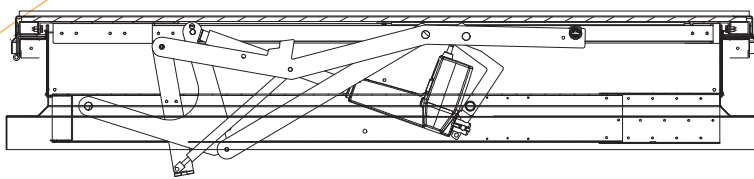
For other dimensions, please, consult us.

DB = dimension at the bottom of the upstand

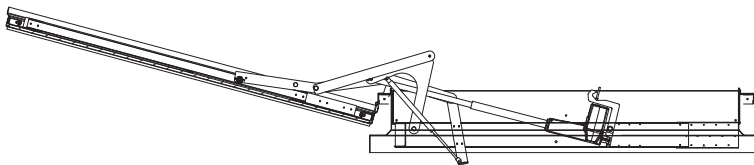
DT = dimension at the top of the upstand

# Hexacoif MoE

Smoke vents range



Hexacoif MOE Eco in waiting position



Hexacoif MOE Eco in safety position

#### COMPONENTS:

- A metallic upstand in galvanized steel of 150 mm high, which can be installed on all kind of existing support (concrete, steel, wood...).
- This product also allows to transform the original function of an existing skylight, while conserving the existing upstand.
- An aluminium frames which protects the periphery of dome or PCA.
- A thermofuse pre-installed in the factory (in option).
- One opening flap controlled by thermofuse and/or electric control box. The opening power is given by a 24V drive integrated in the whole system.

#### FILLING:

- Our standard:
  - PCA 10 mm 4 skins
- In option:
  - PCA 16 mm 7 skins
  - Double dome in PMMA, polycarbonate or Hexachoc 1200J
  - Insulated aluminium cover

*For additional details, see the rubric of the options.*

Working	Type B opening + closing
Cycles	Re 10,000 (daily ventilation) + Re 1,000 (smoke extraction)
Snow load	SL 250 or SL 550
Low temperature	T (-15°)
Wind load	WL 1 500 Pa
Resistance to heat	B 300 °C