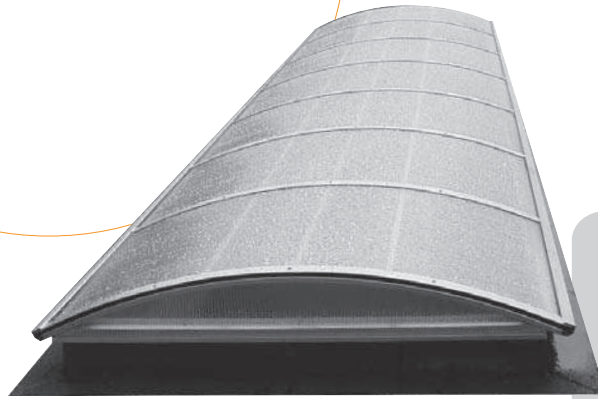


The continuous rooflights

Hexavoûte PCA Fix

Comfort range



Hexavoûte is a continuous rooflight intended for installation on profiled-steel deck roofs and roofs with waterproofing membrane.

This product is designed for zenithal lighting.

Hexavoûte is proposed with a width ranging between 1 and 5 meters. The length of the continuous lighting is unlimited.

Dimensions

Performances

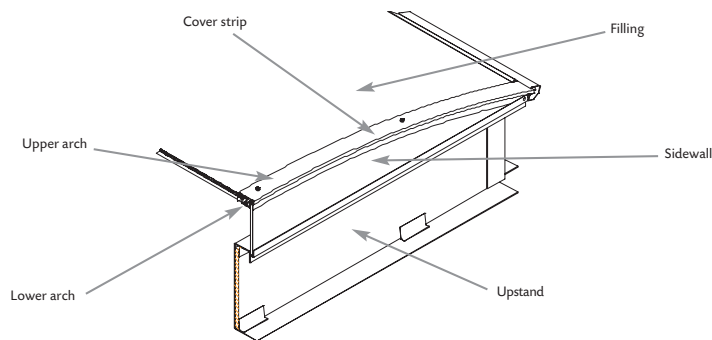
| Width C in mm | Radius in m | Arches-centre distance in m | Type of arch | 1200 Joules (number of profiles) | Filling with PCA standard | Available filling in option |
|-----------------|-------------|-----------------------------|-------------------|----------------------------------|---------------------------|-----------------------------|
| 1,00 < C < 1,50 | 2 | 1,07 | Standard (P300) | 2 profiles | PCA 10 mm - 4 skins | |
| 1,50 < C < 3,50 | 2 | 1,07 | Standard (P300) | 2 to 3 profiles | PCA 10 mm - 4 skins | PCA 16 mm - 7 skins |
| 3,60 < C < 5,00 | 3,5 | 1,07 | Reinforced (P500) | 4 profiles | PCA 16 mm - 7 skins | |

| Filling | Fire resistance performance (european classification) | Thermal insulation U in W/m ² K | Light transmission | |
|-------------------|---|--|--------------------|------|
| PCA 10 mm 4 skins | B-s1 d0 | 2,5 | Opal | 51 % |
| | | | Transparent | 85 % |
| | | | Calor Control | 55 % |
| PCA 16 mm 7 skins | B-s2 d0 | 1,8 | Transparent | 74 % |

The
continuous
rooflights

Product line 

Hexavoûte PCA Comfort range Fix



COMPONENTS:

- A self-supporting curved structure (superior and inferior arches) made of extruded aluminium. The arches are 1-metre spaced as standard but can be adapted to difficult climate conditions such as strong winds and heavy snowloads.
- Extruded aluminium bank profiles for:
 - The recovery of rain and condensation with evacuation on each side of the vault.
 - The fastening of the arches.
 - The support of the lowest part of the filling and the tension of the arches.
- Stainless steel screws and bolts.
- A filling in alveolar polycarbonate (PCA).
- Pre-assembled sidewalls.

122

our solutions for
the roof

adexsi Global solutions for lighting,
daily and smoke ventilation