

# Lamlight

Smoke vents range



Lamlight is a NSHEV with standard or insulated aluminium blades for dry roof or vault installation.

## DESCRIPTION

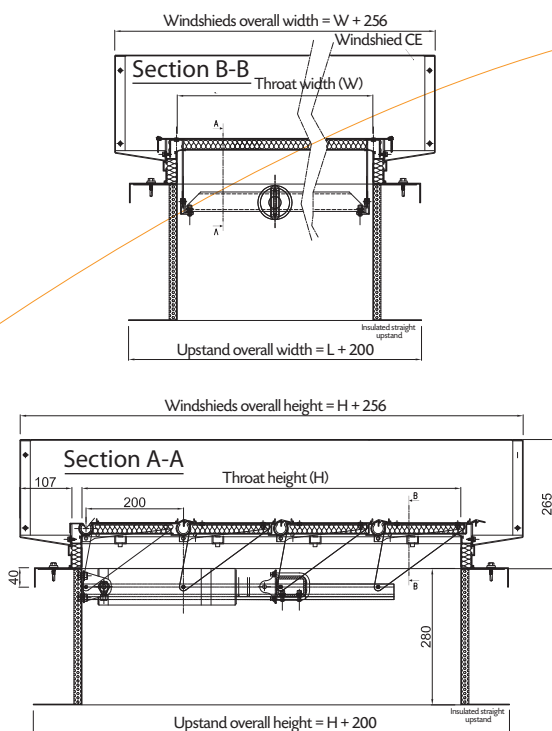
- Lamlight is a complete NSHEV (Natural Smoke and Heat Exhaust Ventilators) which has its own mechanisms. Blades are motorized by a pneumatic cylinder with gas spring.
- Aluminium blades pivot on an aluminium fix frame.
- Aluminium blades could be thermal insulated or no insulated.
- Windshields, compulsory.
- Thermal release, compulsory.
- Straight or inclined (5°) upstand. Could be thermal insulated.

## REGULATION

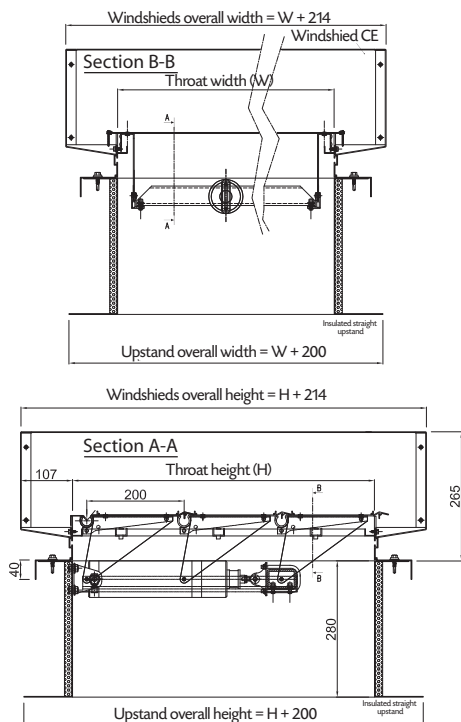
- Lamlight is a NSHEV (Natural Smoke and Heat Exhaust Ventilators) conforms to NF EN 12 101-2.

## PERFORMANCES

- Opening area needed:  $Aa = Cv \cdot Av$ 
  - AirFlow coefficient on roof:  $Cv = 0,67$  with windshields or upstand.
  - AirFlow coefficient on wall mounted:  $Cv = 0,62$
  - Geometric area:  $1 \leq Av \leq 6 \text{ m}^2$
- Reliability: Re 1,000 (+ 10,000)
- Wind load: WL 1 500 Pa
- Resistance to heat: B 300 °C
- Fire resistance performance: A1 (aluminium)



Principle of installation



Principle of installation on straight upstand

## COMPOSITION

- Set of aluminium frame and blades
- Main finish: natural anodised paint.
- Mechanism integrated in the vent.

## TYPES OF CONTROLS

- Electrical opening / closing (power on).
- Pneumatic opening / closing (power on).
- Fail safe opening/closing

## DIMENSIONS LIMITS

Wall mounted:

- $500 \leq W \leq 2.000$  mm (parallel to the blades).
- $846 \leq H \leq 3.046$  mm (perpendicular to the blades).

With  $1 \leq Av \leq 6$  m<sup>2</sup>.

Roof:

- $500 \leq W \leq 2.000$  mm (parallel to the blades).
- $1.020 \leq H \leq 3.046$  mm (perpendicular to the blades).

With  $1 \leq Av \leq 6$  m<sup>2</sup>.

## OPTIONS

- O/C switch.
- Thermal fuse (70°, 103°, 138° or 182 °C).
- Without upstand.

## INSTALLATION

For wall mounted and roof installation:

- On cladding.
- On concrete throat.
- On glass roof.
- On dry roof: specific profile.
- On multilayered roof.

## LIMITS USE

- Wall mounted openings range: from 0 to 30° from the vertical.
- Roof openings range: from 0 to 60° from the horizontal.