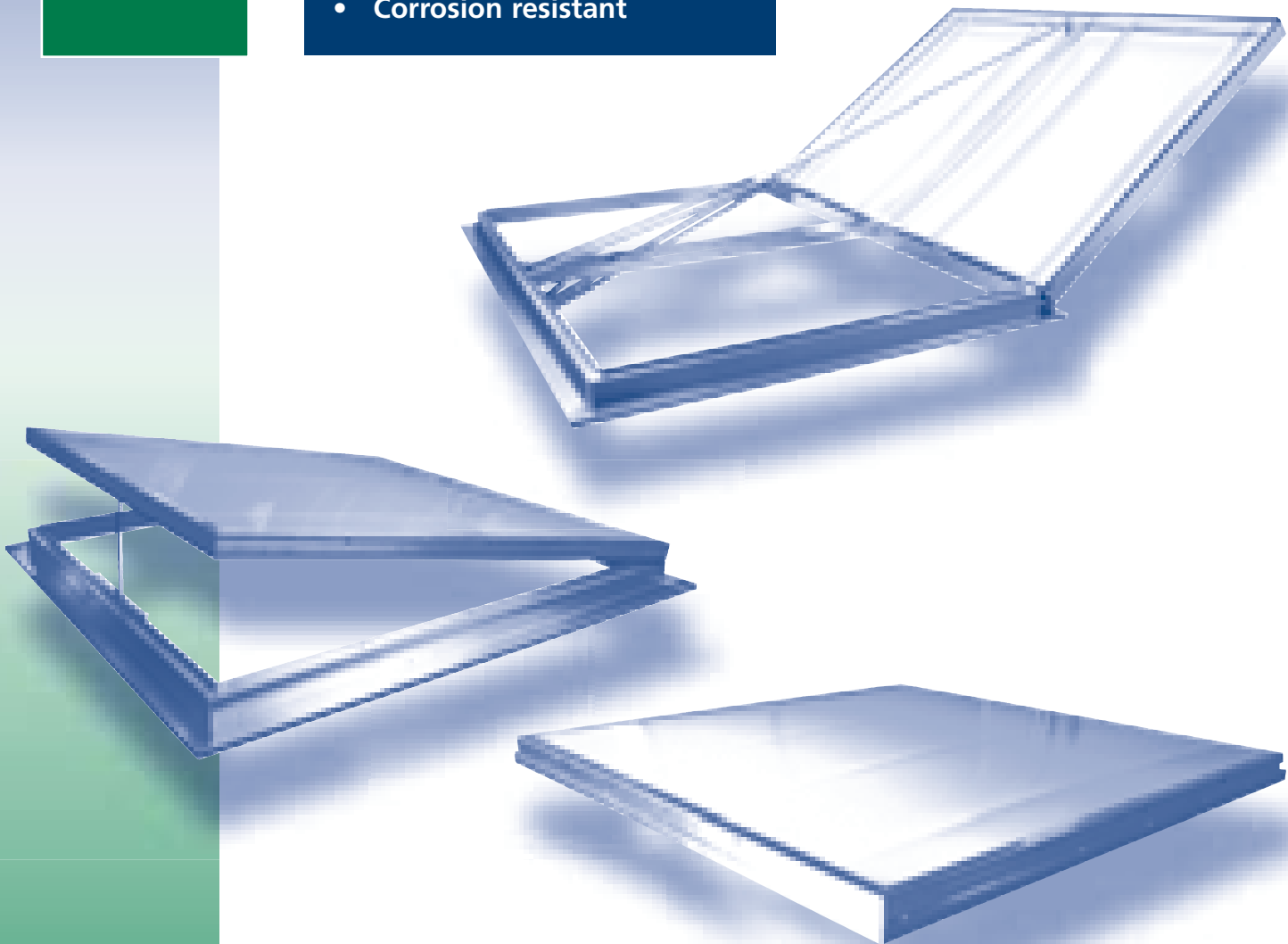


LIGHTDOMES

DAYLIGHTING AND VENTILATION

- Smoke and heat control
- Day to day ventilation
- Low Profile
- Unbreakable
- Day lighting
- Corrosion resistant

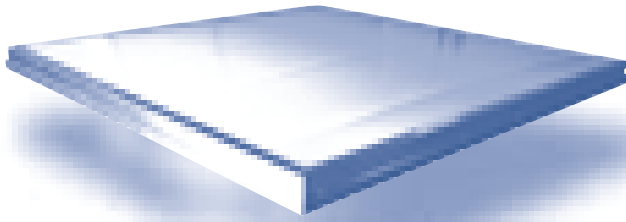


Bovema 
UK Ltd

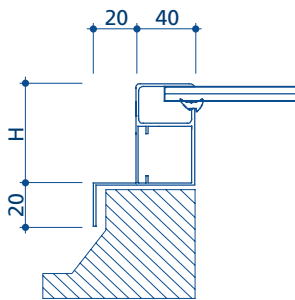
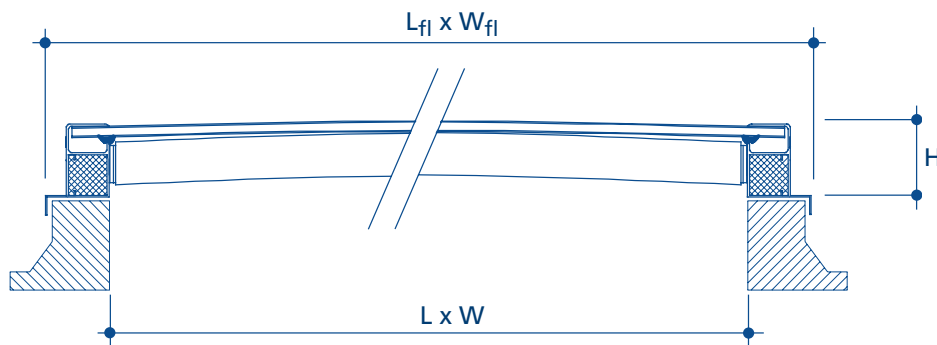
Bovema S-air is a member of the international Bovema Beheer Group

DOMELIGHT

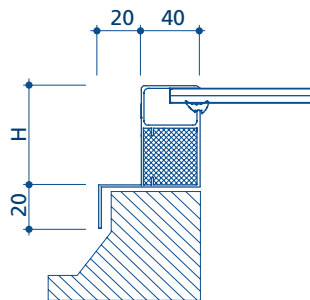
Bovema Domelight



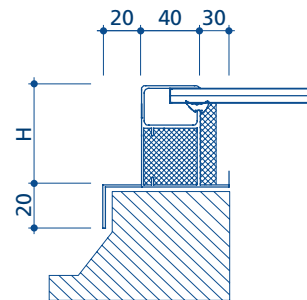
The Bovema Lightdomes are available in all RAL colours (normally natural mill finished aluminium) and can contain 10, 16 or 25 mm translucent or opal polycarbonate. Every unit is strong and stable and is tested against persons falling through (1200 Joule tested per CEBTP). The lightdome can be installed on every type of upstand. Extra guard is not required.



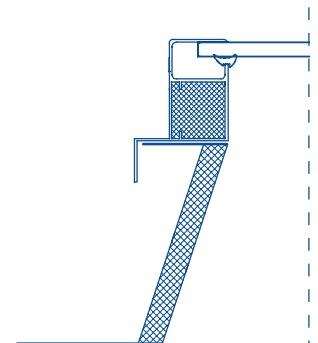
Double skin aluminium



Insulated base



Thermally insulated base



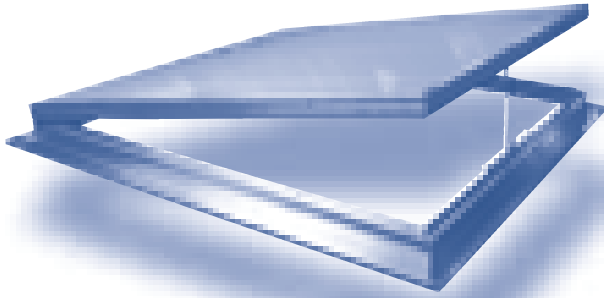
Installation on (existing) polyester upstand

Installation flanges

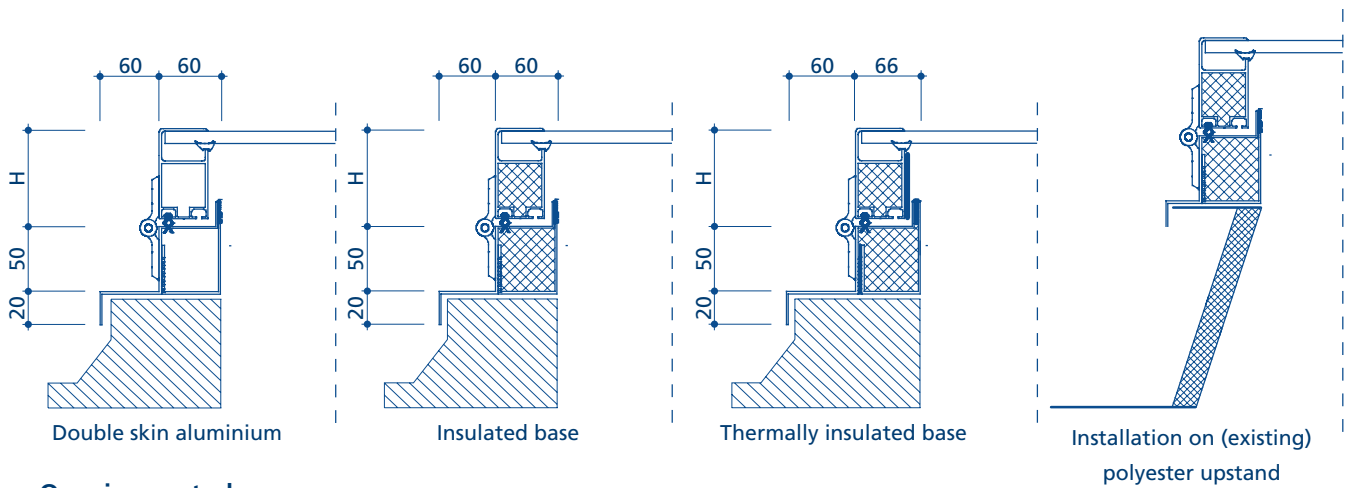
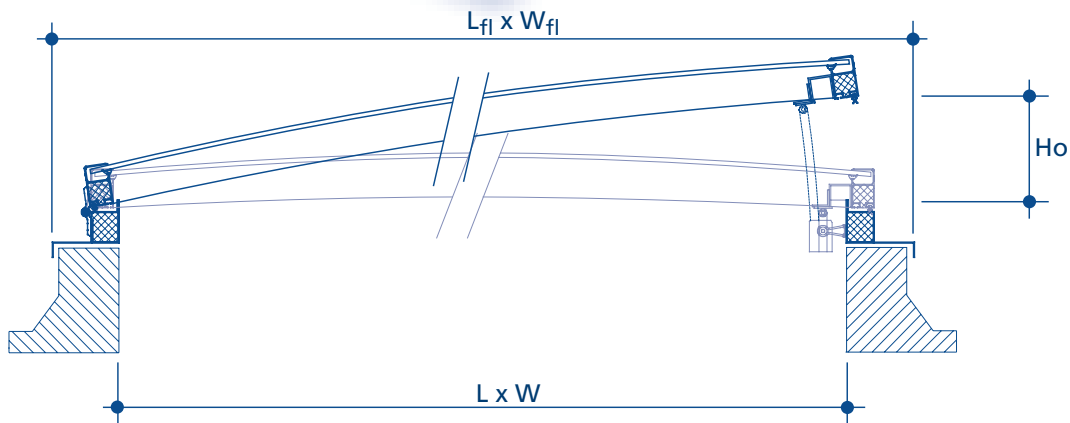
The flanges of the lightdomes can be insulated and thermally broken.

VENTLIGHT

Bovema Ventlight



The Bovema Ventlight is an operable lightdome which can also be used for day-to-day ventilation. The lightdome can be controlled using manual, electric or pneumatic control. The lid can be opened to a maximum height of 300, 500 or 700 mm depending on the selected control.

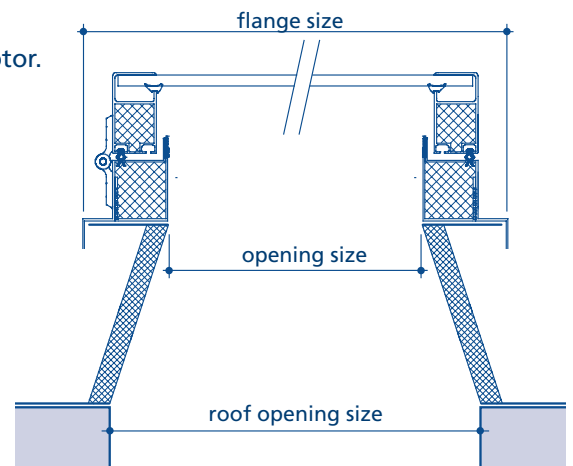


Opening control

- Manual by use of a winder. Opening height (H_o) = 300 mm
- Electrical 230V AC or 24V DC by use of a chain- or spindle motor. Opening height (H_o) = 300 - 500 - 700 mm
- Pneumatic control by use of a cylinder. Opening height (H_o) = 300 - 500 - 700 mm

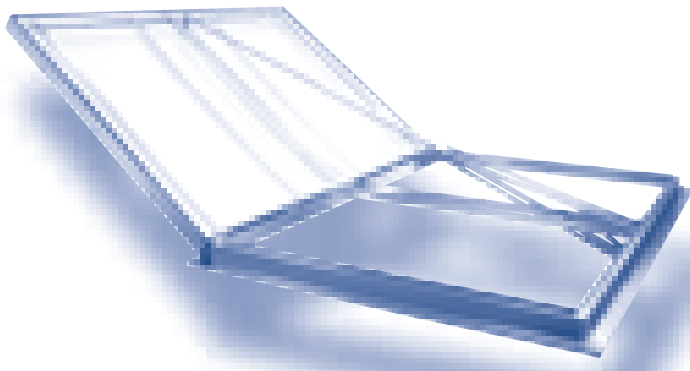
Installation flanges

The flanges of the lightdomes can be insulated and thermally broken.

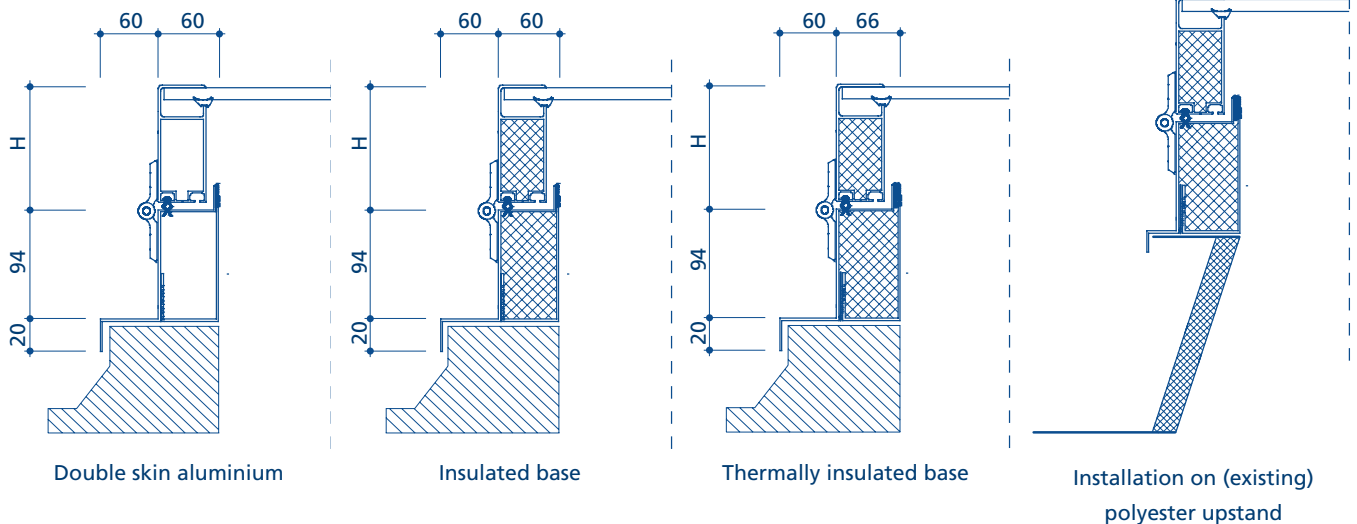
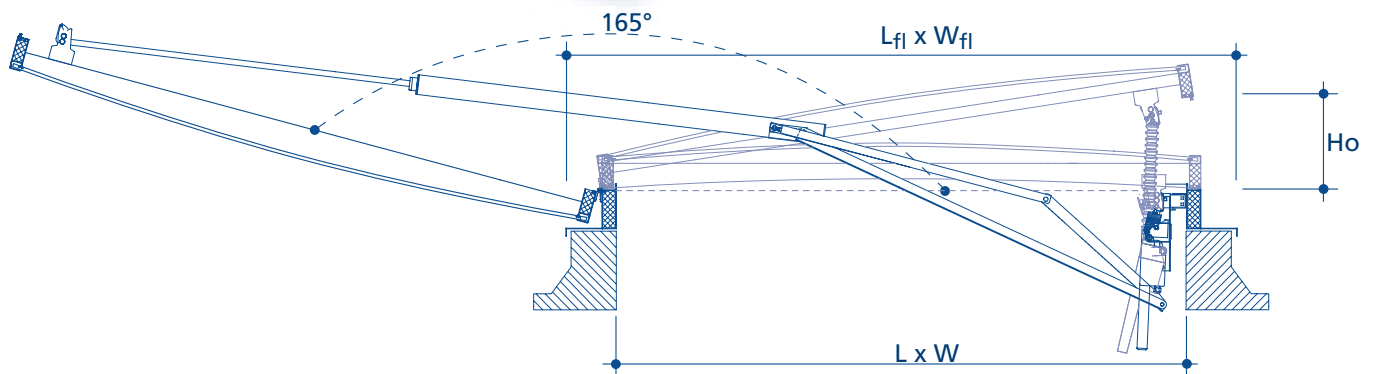


SMOKELIGHT

Bovema Smokelight



The Bovema Smokelight is applied as a smoke ventilator in a smoke and heat exhaust ventilation system (SHEVS). This high quality lightdome can be used for the discharge of large quantities of smoke and hot gasses in case of fire. The unique construction method secures a solid natural ventilator which can be supplied up to large sizes. Using an extra electric or pneumatic opening device. The Bovema Smokelight can also be used for day-to-day ventilation.



Smoke ventilation control

The operable lid is locked in both the open and closed positions. A pneumatic cylinder releases a locking device and opens the blade towards 165 degrees to the outside. The opening of the unit secures a free aerodynamic smoke discharge surface.

Day to day ventilation control

Using an electric or pneumatic opening cylinder day to day ventilation is available and can be controlled by all kinds of building management systems.

Installation flanges

The installation of the smokelight can be insulated or thermally broken.

General information

DESCRIPTION

The Bovema "Light" series of fixed and operable lightdomes for day lighting and ventilation. The Domelight, Ventlight and Smokelight are suitable for industrial and commercial buildings where the overall building design requires daylight and or ventilation. The construction is made of high quality, corrosion resistant aluminium. The units can be made of single skin, insulated and thermally broken flanges. The low profile lightdomes can be installed on new or existing upstands. The slightly bended polycarbonate lid is self-cleaning by rainfall. The units are burglar safe, can carry a very high snow load 800 N/m² and are secured against high suction loads.

UNIQUE CHARACTERISTICS

- Large sizes
- Special sizes on request
- Low profile
- Aluminium casing
- Blades made of 2, 3, 4, 5 or 6 chambered polycarbonate sheets
- Easy installation
- High insulation value
- Very durable
- Burglar safe
- Sun and heat resisting blades optional, as well as extra controllable solar shading facility
- Special sizes possible (on demand)
- High water resistance
- Resistant against high snow loads (800N/m²)
- Resistant against high wind loads from outside and inside the building (suction loads)
- Resistant against falling through (1200 Joule tested by CEBTP)

BLADE FILLINGS

- Polycarbonate sheet opal 10, 16 and 25 mm
- Polycarbonate sheet clear 10, 16 and 25 mm
- Aluminium single skin blade 1,5 mm
- Aluminium thermally insulated 16 mm, 20, 25, 50 or 100 mm
- Aluminium acoustic insulated blades

APPLICATION

- Replacement of old lightdomes
- Installation of new lightdomes
- Replacement of lightdomes for day-to-day ventilation
- Replacement of lightdomes for smoke ventilation facility
- Installation of day-to-day ventilation plus smoke ventilation system

ROOF OPENING SIZES

	length L	X	width B
Min:	1000 mm	X	1000 mm
Max:	2000 mm	X	3000 mm

FLANGE SIZES

	double skin aluminium / insulated		insulated and thermally broken	
Domelight	$L_{fi} = L + 120$	$B_{fi} = B + 120$	$L_{fi} = L + 180$	$B_{fi} = B + 180$
Ventlight & Smokelight	$L_{fi} = L + 240$	$B_{fi} = B + 240$	$L_{fi} = L + 252$	$B_{fi} = B + 252$

* standard sizes, other sizes on request

FIRE CLASS

Fire Class	B1	10 mm double, triple and four walled polycarbonate
	B2	16 mm double, triple, four and five walled polycarbonate
	B2	25 mm six walled polycarbonate
	A1	10, 16, 25, 50 or 100 mm insulated double skin aluminium

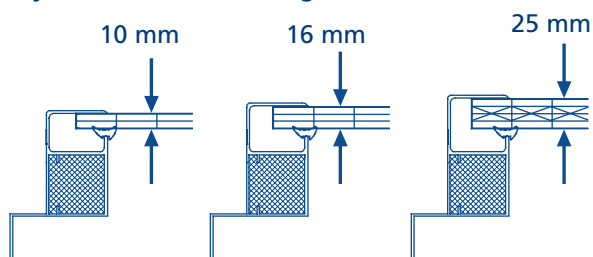
K-value W/m ² K	PC blade fillings					
	Clear 10 mm	Opal 10 mm	Clear 16 mm	Opal 16 mm	Clear 25 mm	Opal 25 mm
2-walled	3,0	3,0	2,8	2,8	-	-
3-walled	2,7	2,7	2,4	2,4	-	-
4-walled	2,5	2,5	2,1	2,1	-	-
5-walled	-	-	1,8	1,8	-	-
6-walled	-	-	-	-	1,5	1,5

Transparency in %						
Transparency LTA	80	48	76	48	44	24
Transparency ZTA	85	71	82	71	66	55
*Guarantee against discoloring	yes	yes	yes	yes	yes	yes
*(Hail) impact resistance	yes	yes	yes	yes	yes	yes

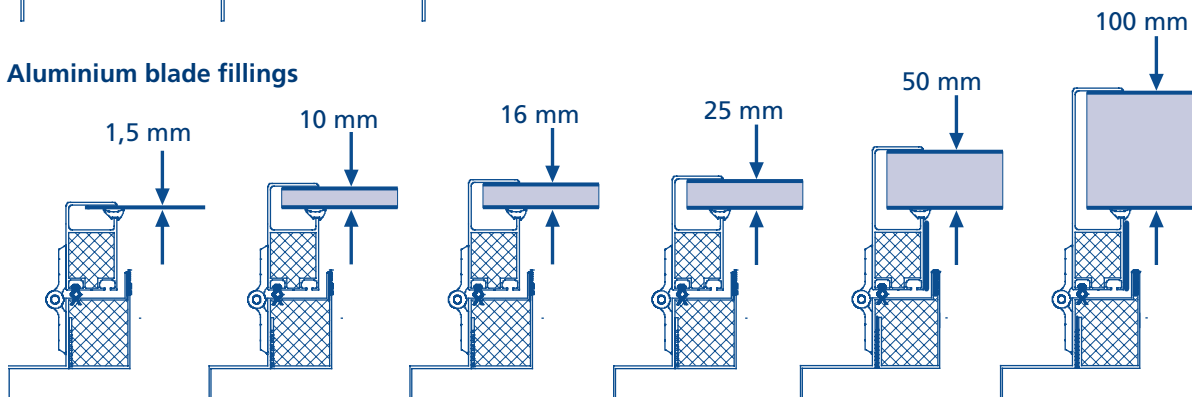
* according to guarantee of the producing firm

Filling	Domelight	Ventlight	Smokelight
H10	69 mm	69 mm	114 mm
H16	75 mm	75 mm	120 mm
H25	84 mm	84 mm	129 mm

Polycarbonate blade fillings



Aluminium blade fillings



Bovema 